

RECMAR®

YAMAHA - SUZUKI - HONDA - JOHNSON EVINRUDE -
OMC - MERCURY MARINER - MERCUISER - VOLVO



ÁNODOS | ANODES | ANODI | ANODES



YAMAHA



REC66M-11325-00
REC66M-11325-00AL



REC67F-11325-00
REC67F-11325-00AL



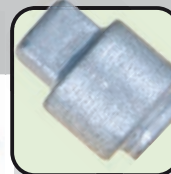
REC68V-11325-01
REC68V-11325-01AL



REC6J8-11325-00
REC6J8-11325-00AL



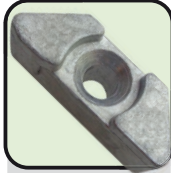
REC62Y-11325-00
REC62Y-11325-00AL



REC67F-11325-01
REC67F-11325-01AL



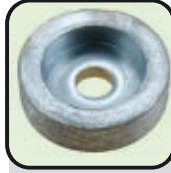
REC68T-11325-00
REC68T-11325-00AL



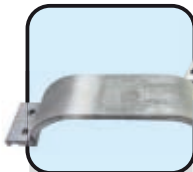
REC6E5-11325-00
REC6E5-11325-00AL



REC6G8-11325-00
REC6G8-11325-00AL



REC676-45251-00
REC676-45251-00AL



REC6H1-45251-01
REC6H1-45251-01AL



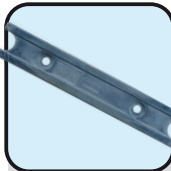
REC6G5-45251-02
REC6G5-45251-02AL



REC65W-45251-00
REC65W-45251-00AL



REC688-45251-01
REC688-45251-01AL



REC6H1-45251-03
REC6H1-45251-03AL



REC664-45371-01
REC664-45371-01AL



REC67F-45371-00
REC67F-45371-00AL



REC6J9-45371-01
REC6J9-45371-01AL



REC6E5-45371-01
REC6E5-45371-01AL



REC6L5-45251-03
REC6L5-45251-03AL



REC65W-45251-00
REC65W-45251-00AL



REC6CE-45373-00
REC6CE-45373-00AL



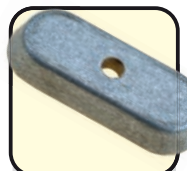
REC41107-ZV5-000
REC41107-ZV5-000AL



REC6E8-45251-00
REC6E8-45251-00AL



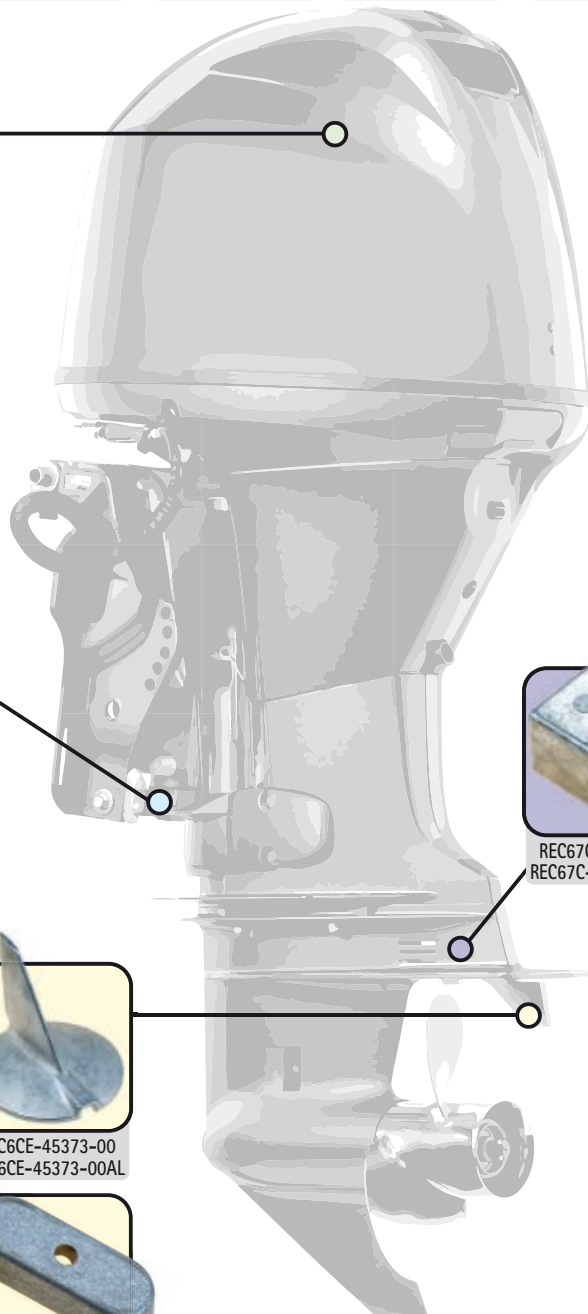
REC67C-45371-00
REC67C-45371-00AL



REC68T-45251-00
REC68T-45251-00AL



REC67C-45251-00
REC67C-45251-00AL



KITS



RECKITY40-50AL



RECKITY40-60AL



RECKIT60-90AL



RECKITY80-100AL

ÁNODOS ANODE ANODO ANODE

RECAMBIOS MARINOS

	MOTOR ENGINE MOTORE MOTEUR	SOPORTE BRACKET SUPPORTO SUPPORT	COLA GEAR CASE PIEDE EMBASE	TRIM TAB
9.9D/ 15D/ F8A,B/ F9.9A,B				REC6E8-45251-00 REC6E8-45251-00AL
20C,D,M/ F20F,G,M/ F25G,M/ 25D,Q, M,N,J/ 30A,E,D,M/ 40(C)(E) V,M,X,Y,N,H/ F40A/ F45A/ 50H,E,D/ F(T)50A,B,T,I				REC41107-ZV5-000 REC41107-ZV5-000AL
20D,M/ 25B,M,N,J,V/ 30G,D,E,H/ E30H/ F45A/ F50A,B/ 225B,C,F,G/ 250A,B,T	REC6J8-11325-00 REC6J8-11325-00AL			
25B,Q/ 40H,Q/ 50D,G/ 55B/ E60H/ 60F,T/ 70B,T/ 75A,C,T/ F75B,T/ 80A/ F80A,B,D,T/ 90A,T/ F100D,F/ 85A/ F100A,T/ F115B/ F130A		REC6H1-45251-03 REC6H1-45251-03AL		
40H/ 50D/ 60F/ 70B/ 80A/ 90A		REC6H1-45251-01 REC6H1-45251-01AL		
40H, 50D, 60F, 70B, 80A, 90A(-1989)		REC688-45251-01 REC688-45251-01AL		
40(E) X,M,J,Q	REC676-45251-00 REC676-45251-00AL			
60F, 70B, 75A/C, PRO75, 80A, 85A, 90A, FT50B(-2000), FTC/G, FT50J, FT60B/D, FT60G, F70A, F80A/B, F100A/D				REC67F-45371-00 REC67F-45371-00AL
100A, 115A/B/C, 130B, 140A/B, F100B/F, F115A/B, 150A, 175A, 200A, PROV100				REC6E5-45371-01 REC6E5-45371-01AL
150A, 175A, 200A(1998+), 150C/F, 175B/D, 200B/F/G, 225A/B/D/F, PROV200, F150A, Z150P/Q, Z175G/H, Z200N, F200F, F(L)200G				REC6J9-45371-01 REC6J9-45371-01AL
F2.5A, 2B, 3A, F4A, 4A, 5C (1989+), F4B, F5A, F6C				REC6L5-45251-03 REC6L5-45251-03AL
F2.5B,M/ F4B,M/ F5A,M/ F6A,B,M,L/ F(T)8B,C,A,M,D,P,F,G/ F(T)9.9F,M,G,E,H,J,L,A/ F13.5B/ F15C,M/ F20G,E,P,M,S,L,D,F/ F(T)25 A,F,D,M,G/ F30B/ F40D,H,F,A,G/ F(T)50D,F,H,B,J,G/ F(T)60C,A,B,F,D,G/ F70A/ F80D/ F100F/ F115B/ F130A/ F(XF)425A,S/ F(XF)375A,S	REC6G8-11325-00 REC6G8-11325-00AL			
F6A,B,M/ F8C,F,M/ F9.9F,M,J				REC68T-45251-00 REC68T-45251-00AL
F6A,B,M/ F8(T)C,M,D/ F150A,B,C,D,G,T/ F175A,C/ F200B,C,F,G/ F225B,C,F,H/ F250B,C,D,L/ F300A,B,C,D	REC68T-11325-00 REC68T-11325-00AL			
FT8D, FT9.9D, F15A/C, F20A/B, F25A/G(PT model), FT25B, F30A, 30D, F40B/C, 40X/V, FT50C, 50H, F60A, FT60B, F70A, 4A, 5C, F8A/B/, 6C/D, 8C, F9.9A/B(1989+), 9.9D, 15		REC65W-45251-00 REC65W-45251-00AL		REC65W-45251-00 REC65W-45251-00AL
F9.9C/ FT9.9D/ F13.5A/ F15A,E,M,P/ Z250D,F,T/ Z300A,T	REC66M-11325-00 REC66M-11325-00AL			
F9.9(T) C,H/ F13.5A,B/ F15A,E,C,P,M/ F20B,M/ F75B,T/ F80A,B/ 100A/ F100A,B,D/ 115C,T/ F115A,B,T/ 130B/T/ 140A,B/ Z150P,T,Q/ 150A,C,F,T/ F150C,G/ F175A,B,C/ Z175G,T/ 175D/ Z200N,P,T/ 200A,B,F/ 225B,D/ F200A,B,C,F,G,T/ 200A,C,E,F,G/ F225A,B,C,T/ F250A,B,T/ F300A,T/ F350A,C,T	REC6E5-11325-00 REC6E5-11325-00AL			
F20A,D/ F(T)25A,B,E,M,D,F,T/ F30A,B,M,T/ F45A/ F(T)50B,C,A,D,F,H,J,T/ F40A,B,C,D,E,F,G,M,H / F(T)60A,B,C,D,F,G,T/ F70A/ Z150P,T,Q/ Z175G,T/ Z200N,P,T/ Z250D,F,G/ 250A/	REC62Y-11325-00 REC62Y-11325-00AL			
F20G,M/ 20C,D,M/ 25D,J,N,M,Q/ F25G,M/ 30A,D,E/ 40N,H,V,Y/ C40M/ 40X/ E40M,X/ 50D,H/ F50A/ F45A/				REC664-45371-01 REC664-45371-01AL
F(T)25A,B,E,F,T/ F30A,B,E,M,T/ F40A,B,C,D,E,F,H,T/ F50A,D,H,F,T/ F60A,B,C,F,T				REC67C-45371-00 REC67C-45371-00AL
FT25F, F30B, F40F, F60A/C, FT60B, 40V/X, 50H, F40A, F50A/B(-1999), F50H, F60F			REC67C-45251-00 REC67C-45251-00AL	
F75B,T/ F80A,B/ F100A,B,C,D/ F115A,T/ F150A,T/ F200A,T/ F225A,T	REC68V-11325-01 REC68V-11325-01AL			
F80A,T/ F100A,T/ F115A,T/ F200A,T/ F225A,T/ Z250D,F/ Z300A,T	REC67F-11325-00 REC67F-11325-00AL			
F80C/ 100A,T/ F100B/ 115B,C,T/ F115A,T/ 130B/ 140B/ 150A,C,F,T/ F150A,B,D,F,T/ Z150P,T/ 175A,B,D,F/ F200A,C/ 200A,B,C,F,G,T/ F225A,B,C,F,H,T/ 225A,B,D,G/ Z250D,F,T/ F250A,B,C,D,L,T/ 250A,G,B/ Z200N,P,T/ Z300A,T/ F300A,B,C,T/ F350A,T		REC6G5-45251-02 REC6G5-45251-02AL		
F80A,B,C/ F100B,D/ F115A,B/ F130A/ F150A,B,C,D,F,G/ F175A,C/ F200A,B,F,G/ F225A,B,C,F,H/ Z250D,F,T/ F250A,B,C,D,L,T/ Z300A/T/ F300A,B,C,D/ F350A,C	REC67F-11325-01 REC67F-11325-01AL			
F200A,B,C,T/ F225A,B,C,F,H,L,T/ 225C,F/ 250A,B,E,G,T/ F250A,B,C,D,T/ F300A,B,C,D				REC6CE-45373-00 REC6CE-45373-00AL



RECKITY150-200CRAL



RECKITY200-250AL



RECKITY300-350XPAL



RECKITY300-350AL



REC55320-95311
REC55320-95311AL



REC55321-87J01
REC55321-87J01AL



REC55320-95311
REC55320-95311AL



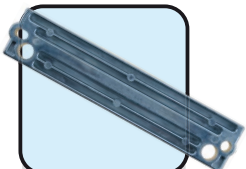
REC55321-87J01
REC55321-87J01AL



REC55320-95311
REC55320-95311AL



REC55321-87J01
REC55321-87J01AL



REC55320-94900
REC55320-94900AL



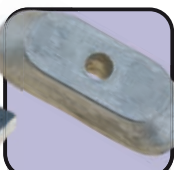
REC55320-95311
REC55320-95311AL



REC55321-87J01
REC55321-87J01AL



REC55321-90J01
REC55321-90J01AL



REC55320-98400
REC55320-98400AL



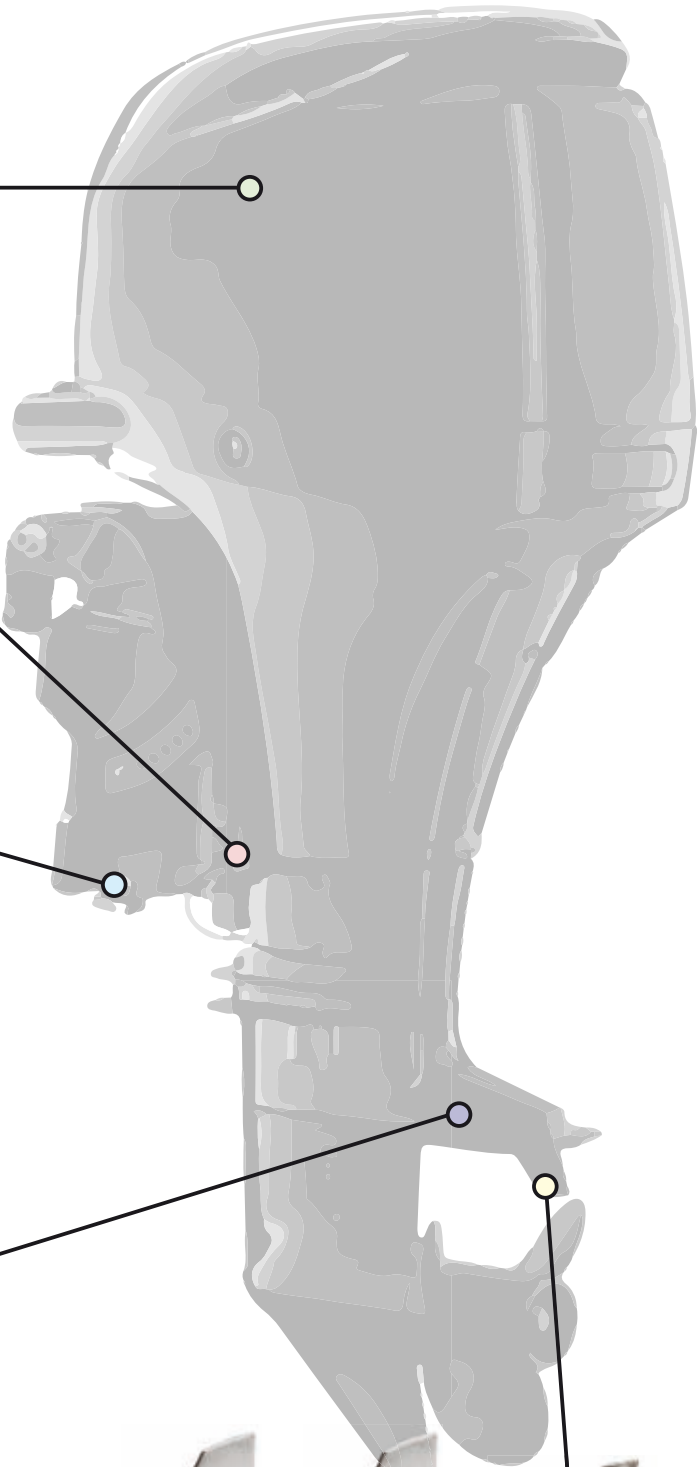
REC55125-91L01
REC55125-91L01AL



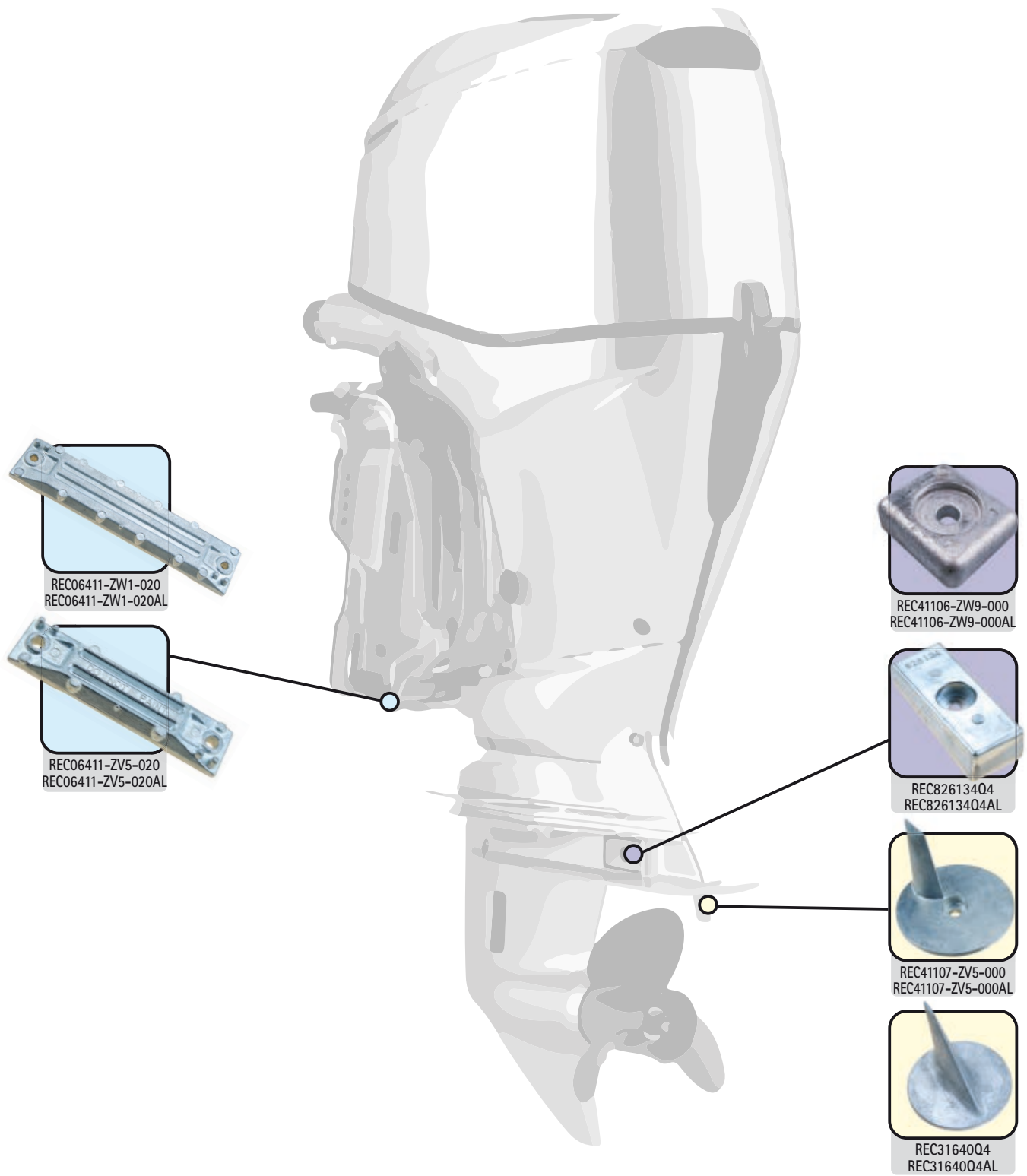
REC55125-95500
REC55125-95500AL



REC55125-90J01
REC55125-90J01AL

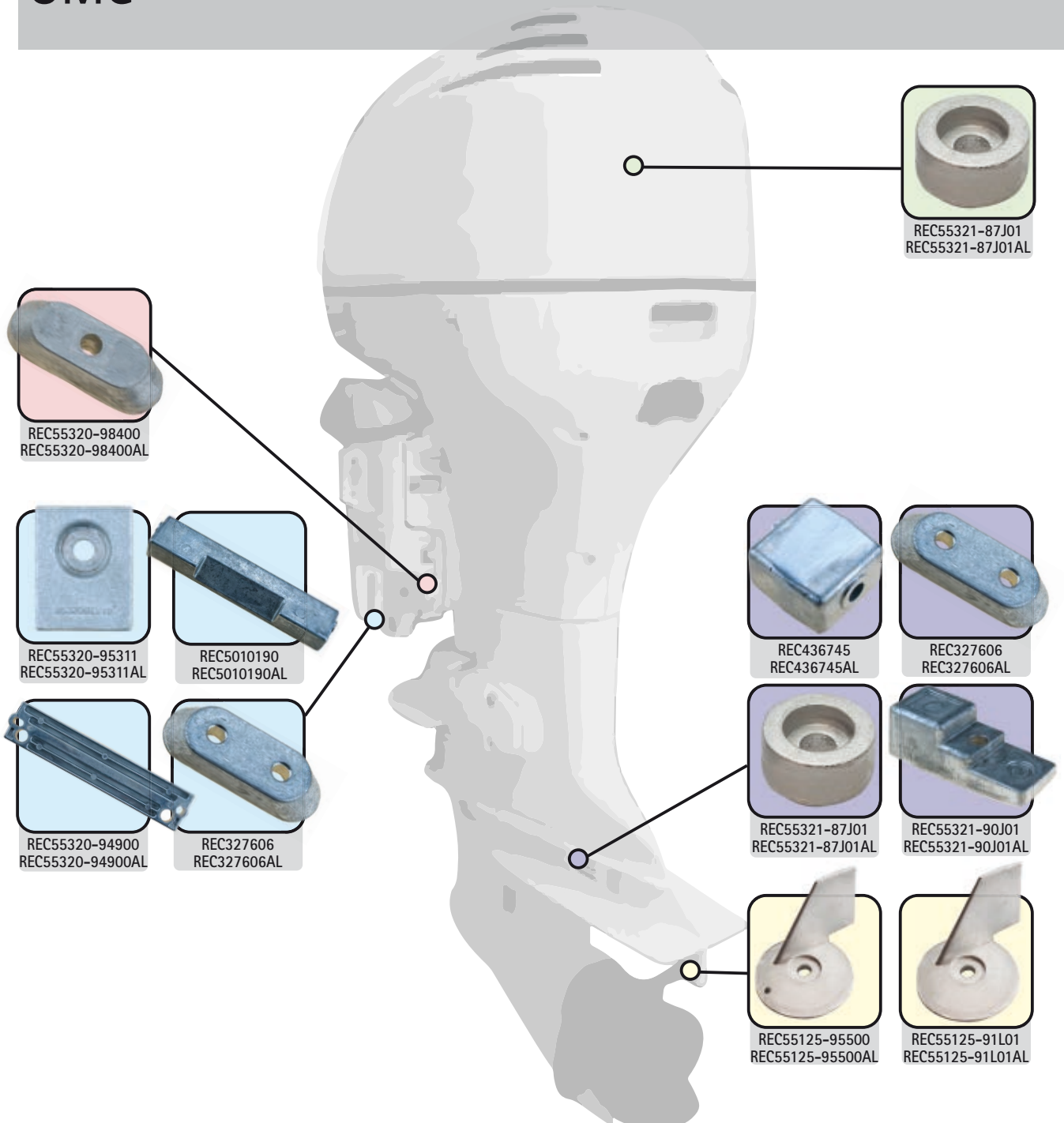


	MOTOR ENGINE MOTORE	SOPORTE BRACKET SUPPORTO SUPPORT	TRIM	COLA GEAR CASE PIEDE EMBASE	TRIM TAB
DF2.5		REC55320-95311 REC55320-95311AL		REC55321-87J01 REC55321-87J01AL	
DF4/ DF5/ DF6				REC55321-87J01 REC55321-87J01AL	
DF8A,AR/ DF9.9A,AR	REC55320-95311 REC55320-95311AL			REC55320-95311 REC55320-95311AL	
DF9.9B/ DF15A/ DF20A	REC55320-95311 REC55320-95311AL	REC55320-95311 REC55320-95311AL	REC55320-95311 REC55320-95311AL		
DF25/ DF25R/ DF25R V2/ DF25Q V2					REC55125-91L01 REC55125-91L01AL
DF25 /DF30		REC55320-95311 REC55320-95311AL			REC55125-91L01 REC55125-91L01AL
DF25A/ DF30A	REC55321-87J01 REC55321-87J01AL	REC55321-87J01 REC55321-87J01AL	REC55321-87J01 REC55321-87J01AL	REC55321-87J01 REC55321-87J01AL	REC55125-91L01 REC55125-91L01AL
DF40A/ DF50A/ DF60A	REC55320-95311 REC55320-95311AL	REC55320-95311 REC55320-95311AL REC55320-94900 REC55320-94900AL	REC55320-95311 REC55320-95311AL	REC55320-95311 REC55320-95311AL REC55321-90J01 REC55321-90J01AL	REC55125-95500 REC55125-95500AL
DF40/DF50		REC55320-95311 REC55320-95311AL			REC55125-95500 REC55125-95500AL
DF60/ DF70		REC55320-94900 REC55320-94900AL		REC55320-95311 REC55320-95311AL REC55321-90J01 REC55321-90J01AL	REC55125-90J01 REC55125-90J01AL
DF70A/ DF80A/ DF90A/ DF100B	REC55320-95311 REC55320-95311AL	REC55320-94900 REC55320-94900AL	REC55320-95311 REC55320-95311AL	REC55320-95311 REC55320-95311AL	REC55125-90J01 REC55125-90J01AL
DF90/ DF100/ DF115/ DF140	REC55321-87J01 REC55321-87J01AL	REC55320-94900 REC55320-94900AL	REC55321-87J01 REC55321-87J01AL	REC55321-90J01 REC55321-90J01AL	REC55125-90J01 REC55125-90J01AL
DF100A/ DF115A/ DF140A	REC55321-87J01 REC55321-87J01AL	REC55320-94900 REC55320-94900AL	REC55321-87J01 REC55321-87J01AL	REC55321-90J01 REC55321-90J01AL	REC55125-90J01 REC55125-90J01AL
DF150/ DF175	REC55321-87J01 REC55321-87J01AL	REC55321-87J01 REC55321-87J01AL REC55320-94900 REC55320-94900AL		REC55320-95311 REC55320-95311AL	
DF150AP, AT/ DF175AP,AT/ DF200AP,AT	REC55321-87J01 REC55321-87J01AL	REC55321-87J01 REC55321-87J01AL REC55320-94900 REC55320-94900AL			
DF200/ DF225/ DF250	REC55321-87J01 REC55321-87J01AL	REC55321-87J01 REC55321-87J01AL REC55320-94900 REC55320-94900AL		REC55320-95311 REC55320-95311AL	
DF300/ DF350	REC55321-87J01 REC55321-87J01AL	REC55321-87J01 REC55321-87J01AL REC55320-94900 REC55320-94900AL		REC55320-95311 REC55320-95311AL	
DT2/ DT2.2				REC55320-98400 REC55320-98400AL	
DT4/ DT5		REC55320-95311 REC55320-95311AL		REC55320-98400 REC55320-98400AL	
DT8/DT9.9		REC55320-95311 REC55320-95311AL			
DT15		REC55320-95311 REC55320-95311AL			
DT20/ DT25/ DT30		REC55320-95311 REC55320-95311AL			REC55125-91L01 REC55125-91L01AL
DT40		REC55320-95311 REC55320-95311AL	REC55320-95311 REC55320-95311AL		REC55125-95500 REC55125-95500AL
DT55/ DT65		REC55320-95311 REC55320-95311AL	REC55320-95311 REC55320-95311AL	REC55320-95311 REC55320-95311AL	REC55125-95500 REC55125-95500AL
DT75/DT85		REC55320-95311 REC55320-95311AL		REC55320-95311 REC55320-95311AL	REC55125-95500 REC55125-95500AL
DT90/ DT100			REC55320-95311 REC55320-95311AL	REC55320-95311 REC55320-95311AL	
DT115/ DT140		REC55320-95311 REC55320-95311AL REC55320-94900 REC55320-94900AL		REC55320-95311 REC55320-95311AL	
DT150/ DT200/ DT225			REC55320-95311 REC55320-95311AL		
V6 H-Y			REC55320-95311 REC55320-95311AL		



	SOPORTE BRACKET SUPPORTO SUPPORT	COLA GEAR CASE PIEDE EMBASE	TRIM TAB
BF75AT / BF90AT		REC826134Q REC826134QA	REC31640Q4 REC31640Q4AL
BF75/ BF80/ BF90/ BF100/ BF115/ BF130/ BF135/ BF150/ BF175/ BF200/ BF225/ BF250	REC06411-ZW1-020 REC06411-ZW1-020AL		
BF(P)8/ BF9.9/ BF10/ BF15/ BF20/ BF25/ BF30/ BF40/ BF50		REC41106-ZW9-000 REC41106-ZW9-000AL	
BF20/ BF25/ BF30/ BF35/ BF40/ BF45/ BF50			REC41107-ZV5-000 REC41107-ZV5-000AL
BF35/ BF40/ BF45/ BF50/ BF(P)60	REC06411-ZV5-020 REC06411-ZV5-020AL	REC826134Q REC826134QA	

JOHNSON EVINRUDE OMC

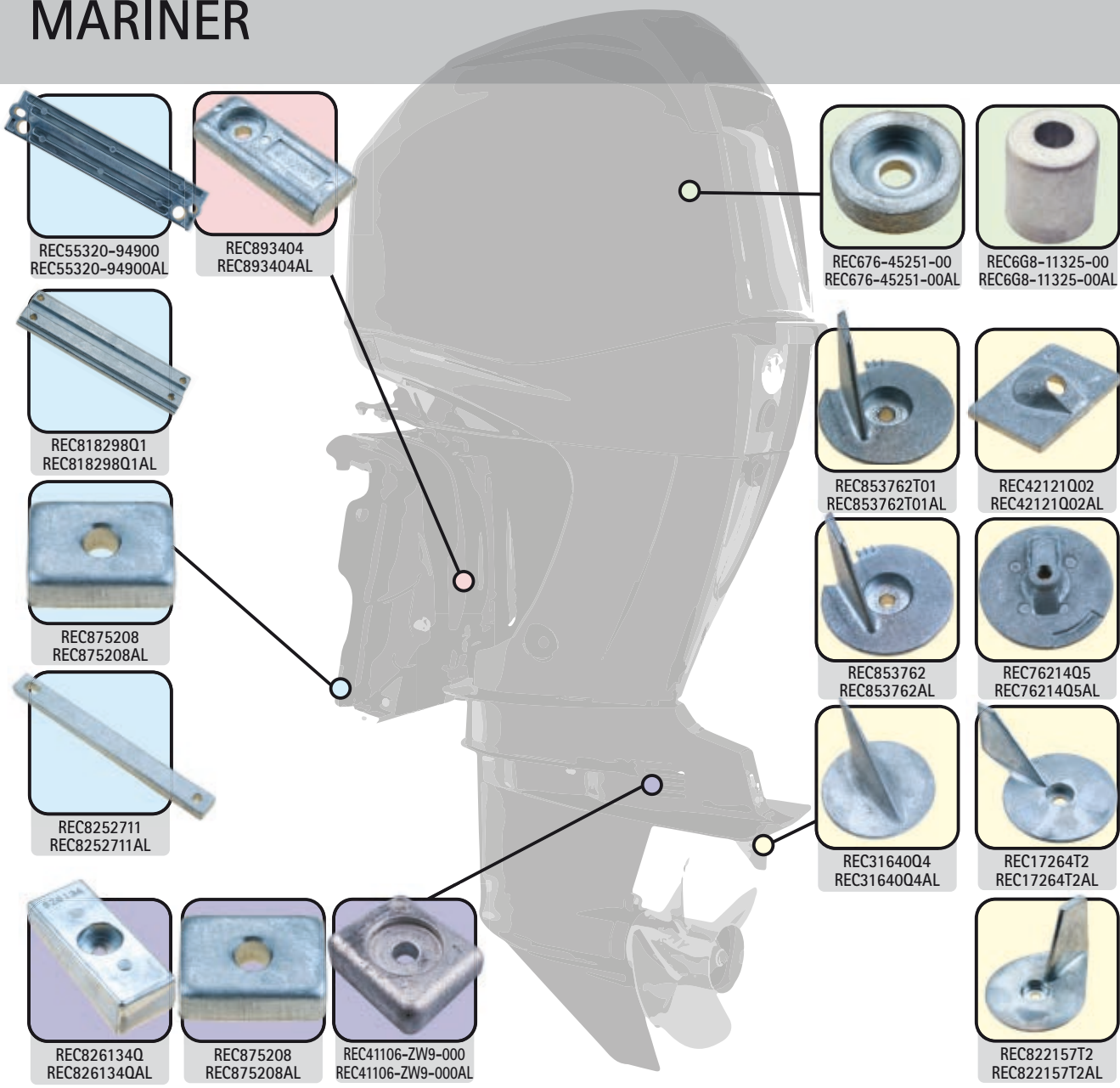


	MOTOR ENGINE MOTORE MOTEUR	SOPORTE BRACKET SUPPORTO SUPPORT	TRIM	COLA GEAR CASE PIEDE EMBASE	TRIM TAB
40HP +				REC436745 REC436745AL	
60 To 300HP (V4 & V6)		REC5010190 REC5010190AL			
1.2 TO 175HP		REC327606 REC327606AL		REC327606 REC327606AL	
40/50/70HP					REC55125-95500 REC55125-95500AL
5HP			REC55320-98400 REC55320-98400AL		
5 TO 225HP		REC55320-95311 REC55320-95311AL			
4/5/6HP				REC55321-87J01 REC55321-87J01AL	
40 TO 250HP	REC55321-87J01 REC55321-87J01AL				
60 TO 225HP		REC55320-94900 REC55320-94900AL			
25/30HP					REC55125-91L01 REC55125-91L01AL
60/70/90/115HP				REC55321-90J01 REC55321-90J01AL	

ÁNODOS ANODE ANODO ANODE

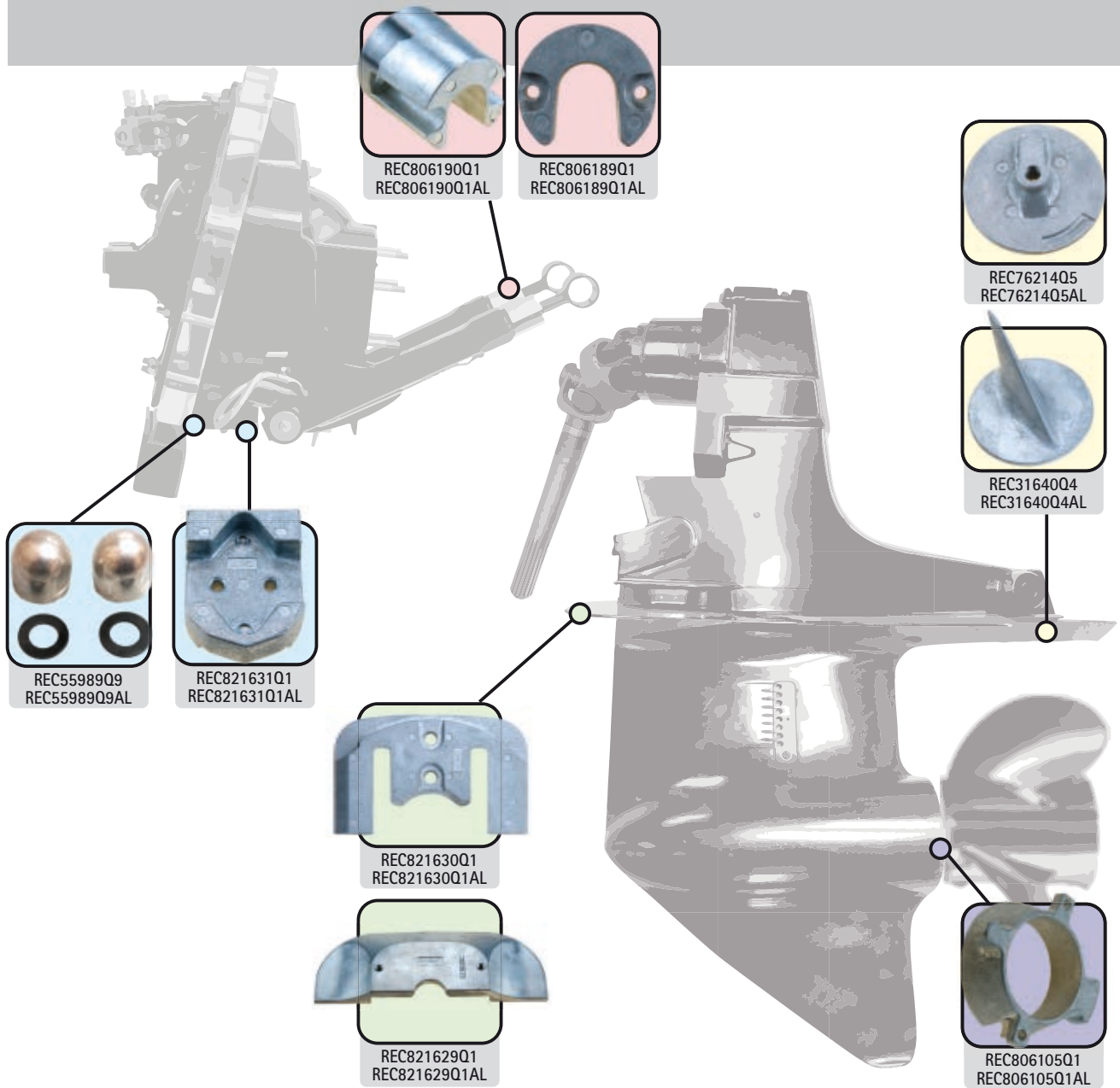
MERCURY MARINER

ÁNODOS ANODE ANODO ANODE



	MOTOR ENGINE MOTORE MOTEUR	SOPORTE BRACKET SUPPORTO SUPPORT	TRIM	COLA GEAR CASE PIEDE EMBASE	TRIM TAB
4/ 5 / 6 HP (4 STROKE)				REC875208 REC875208AL	
8 - 20HP (4 STROKE)		REC875208 REC875208AL			
6 - 20HP (TOHATSU)					REC853762T01 REC853762T01AL
8/ 9.9/ 13.5/ 15 (4 STROKE) 6/ 8/ 9.9/ 10/ 15 (2 STROKE)					REC42121Q02AL
9.9 / 10 / 15 / 20 EFI				REC41106-ZW9-000 REC41106-ZW9-000AL	
8 Bodensee (4Stroke) international 9.9 (4Stroke) 232cc	REC6G8-11325-00 REC6G8-11325-00AL				
25/30/40/50 (Tohatsu) 1.92:1					REC853762 REC853762AL
K40 (6F5)/ 40C (6E9) 75 - 115 (4 STROKE) 135 To 300 Verado 2.5L/ 3.0L (EFI & DFI)	REC676-45251-00 REC676-45251-00AL				REC826134Q REC826134QAL
30HP +		REC818298Q1 REC818298Q1AL			
35HP +					REC31640Q4 REC31640Q4AL REC17264T2 REC17264T2AL
40 - 75HP 25/30 EFI 40 / 50 MXL, LIGHTNING		REC55320-94900 REC55320-94900AL			
25/ 30/ 35/ 40/ 50 HP					REC822157T2 REC822157T2AL
25 - 50HP		REC8252711 REC8252711AL			
VERADO 6 CYL/ 4.6 V8			REC893404 REC893404AL		

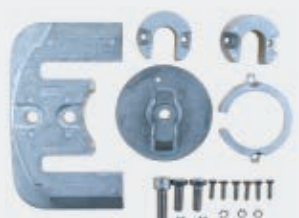
MERCURISER



KITS



RECKITMALPHA2AL



RECKITM BRAVO1AL



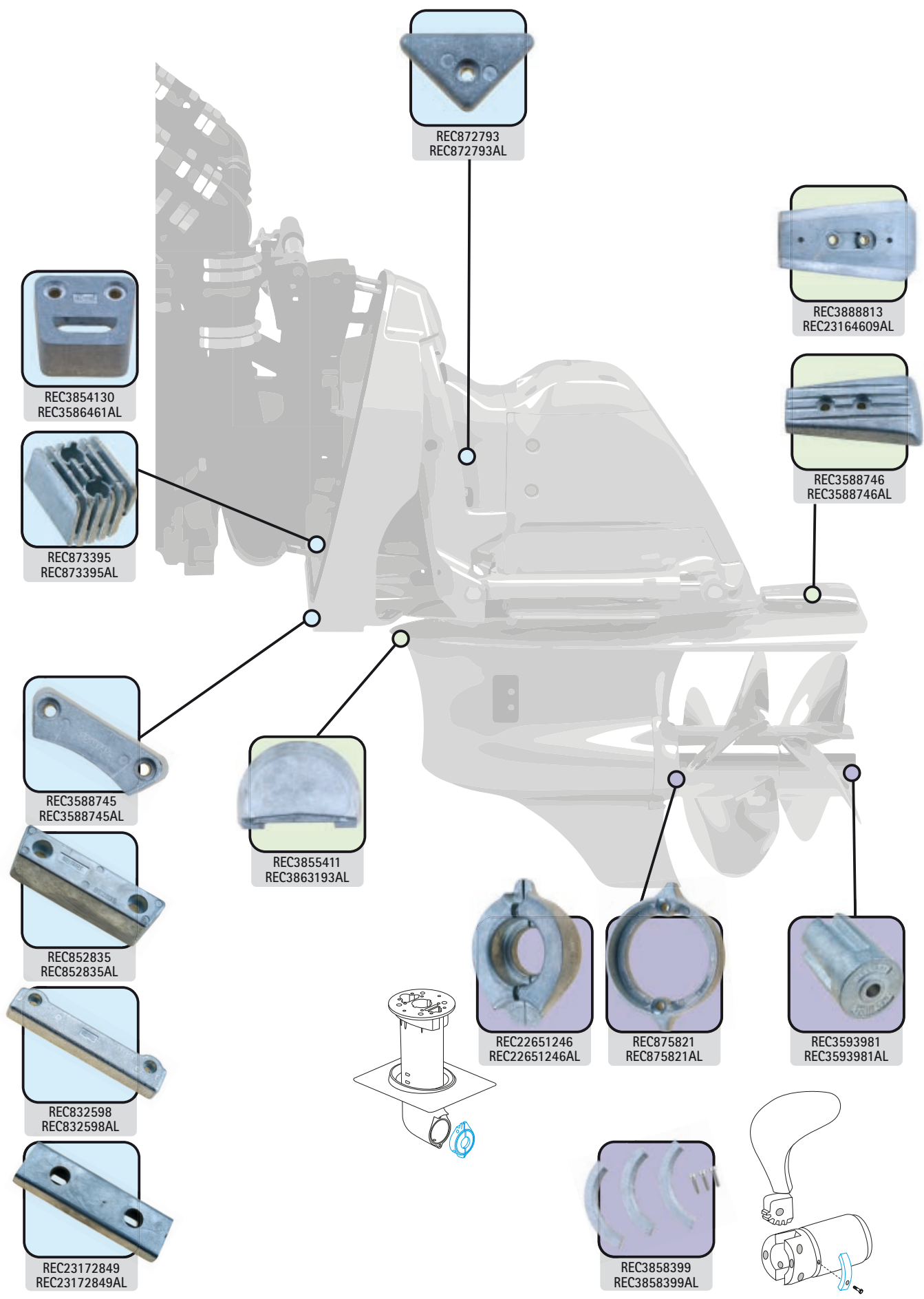
RECKITM BRAVO23AL



RECKITM BRAVO3AL

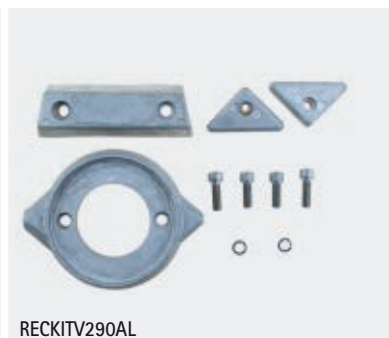
	PLACA PLATE PIASTRA PLAQUE	TRANSOM	PISTÓN PISTON PISTONE PISTON	HÉLICE PROPELLER ELICA HELICE	TRIM TAB
BRAVO I	REC821630Q1 REC821630Q1AL		REC806190Q1 REC806190Q1AL		REC76214Q5 REC76214Q5AL
BRAVO II	REC821630Q1 REC821630Q1AL		REC806190Q1 REC806190Q1AL		REC76214Q5 REC76214Q5AL
BRAVO III	REC821630Q1 REC821630Q1AL		REC806190Q1 REC806190Q1AL		REC76214Q5 REC76214Q5AL
ALPHA ONE		REC821631Q1 REC821631Q1AL	REC806189Q1 REC806189Q1AL		REC31640Q4 REC31640Q4AL
ALPHA ONE II GEN	REC821629Q1 REC821629Q1AL	REC821631Q1 REC821631Q1AL	REC806189Q1 REC806189Q1AL	REC806105Q1 REC806105Q1AL	REC76214Q5 REC76214Q5AL

ÁNODOS ANODE ANODO ANODE



	PLACA PLATE PIASTRA PLAQUE	TRANSOM	HÉLICE PROPELLER ELICA HELICE
280		REC832598 REC832598AL	
280 DP		REC832598 REC832598AL	REC875821 REC875821AL
290		REC872793 REC872793AL REC852835 REC852835AL	
290 DP, DPX, DP-E, DP-C1, CP-D1		REC872793 REC872793AL REC852835 REC852835AL	REC875821 REC875821AL
DP-SM		REC872793 REC872793AL REC852835 REC852835AL	REC875821 REC875821AL
SX-M, DP-SM	REC3855411 REC3863193AL	REC3854130 REC3586461AL REC873395 REC873395AL	
DPH, SX-A, SX-D, FWD	REC3888813 REC23164609AL		
DPH, DPR	REC3588746 REC3588746AL	REC3588745 REC3588745AL	
IPS		REC23172849 REC23172849AL	REC3593981 REC3593981AL
VELEROS SAILBOATS VELA VELIER			REC22651246 REC22651246AL

	INTERCAMBIADOR EXCHANGER SCAMBIATORE ECHANGEUR	BLOQUE BLOCK BLOCCO MOTEUR	CULATA CYLINDER HEAD TESTATA CULASSE	INVERSOR INVERTOR INVERTITORE INVERSEUR
D13/ D12/ D16 MD/ TMD/ TAMD 60/ 70/ 100/ 102/ 122/ 162/ 163/ 165	REC823661 REC823661AL			
D4/ D5/ D6/ D7/ D8/ D9/ D11/ D12 MD, TMD, TAMD, AQAD, AQ 21/30/31/40/41 /42/60/61/63/70/71/72/73 /74/100/120/122/162/165	REC838929 REC838929AL			
2003		REC838929 REC838929AL		
2001-2002			REC838929 REC838929AL	
M53				REC838929 REC838929AL



GARANTÍA RECMAR
Aleación contrastada químicamente.
Disponibles en ZINC y ALUMINIO.
Compatibles con los principales fabricantes de motores y transmisiones marinas.

RECMAR WARRANTY
Chemically contrasted alloy.
Available in ZINC and ALUMINUM.
Compatible with the OEM manufacturers of marine engines and transmissions.

GARANZIA RECMAR
Legga chimicamente contrastata.
Disponibile in ZINCO e ALLUMINIO.
Compatibile con i principali produttori di motori marini e trasmissioni.

GARANTIE RECMAR
Alliage chimiquement contrasté.
Disponible en ZINC et ALUMINIUM.
Compatible avec les principaux fabricants de moteurs marins et de transmissions.

ELEMENT	ZINC ALLOY		ALUMINIUM ALLOY
		according US MIL Spec. A-18001K	according US MIL Spec. A-24779SH CADMIUM FREE
ALUMINIUM	Al	0,10-0,5	Remaining
CADMIUM	Cd	0,025-0,07	
COPPER	Cu	0,005 max.	0,004 max.
INDIUM	In		0,014-0,02
IRON	Fe	0,005 max.	0,08 max.
MAGNESIUM	Mg		
NICHEL	Ni		
SILICON	Si		0,08-0,20
ZINC	Zn	Remaining	4,0-6,5
others			0,10 max.
nominal electrical capacity		780 AmpHr/kg	2700 AmpHr/kg
nominal open circuit potential		-1050mV	-1100 mV
density		7,14 g/cm ³	2,80 g/cm ³

 **RECAMBIOS**
MARINOS_{S.L.U.}

Jocelyn Bell, 26
Pol. Ca n'Alemany
08840 Viladecans (Barcelona)
Tel. 902108585 - 93 633 34 80
info@recambiosmarinos.es

 **RECMAR**_{SRL}

Via Israele 10 H
Zona Industriale Settore 7
07026 Olbia (OT)
Tel. (+39) 0789 51962
sales@recmar.it

www.recambiosmarinos.es